

**Style**

M12 Socket, shielded  
8 pin  
A-coding

**Ratings**

Voltage: 30 V  
Current: 2 A

**Operating Temperature Range**

-40 ~ 105 °C

**Materials**

- ① Insulator: Polyamide 66 (PA66), UL94 HB, black
- ② Pin: C3604 brass, gold plated
- ③ Shell: C3604 brass, nickel plated
- ④ O-ring: Nitrile rubber, black & green
- ⑤ Pin alignment guide: Polyamide 66 (PA66), UL94 HB, black

**Electrical Requirements**

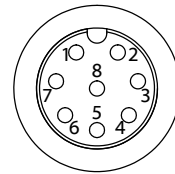
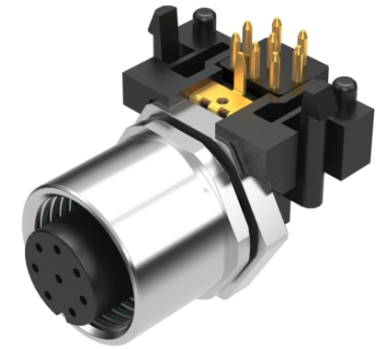
Dielectric strength: 1 min @ 500 Vac  
Insulation resistance: 100 MΩ @ 500 Vdc  
Contact resistance: 10 mΩ or less

**Mechanical Requirements**

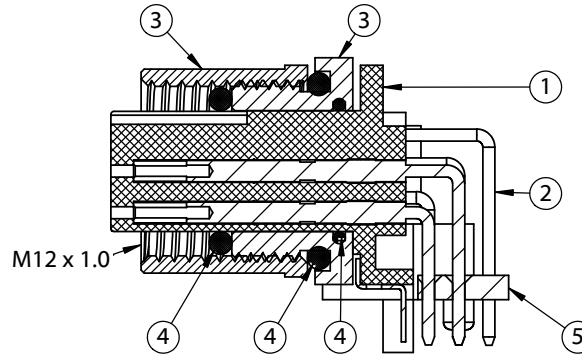
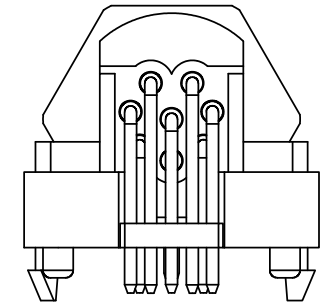
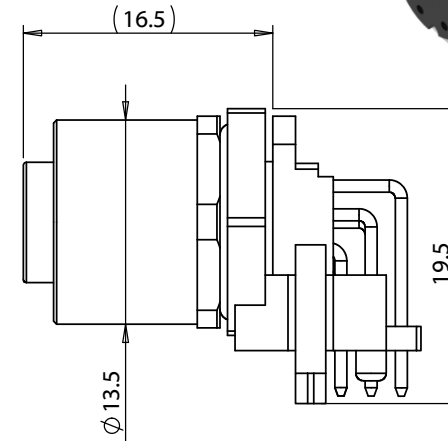
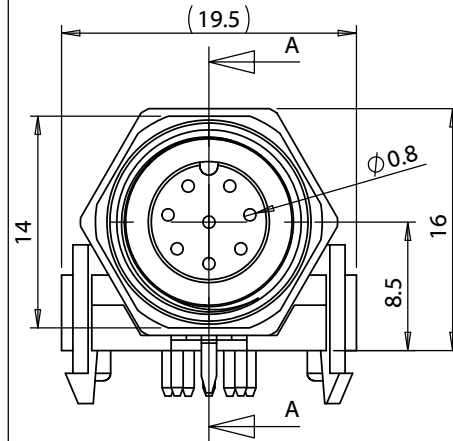
Life cycle: 500 mating cycles minimum

**Environmental Requirements**

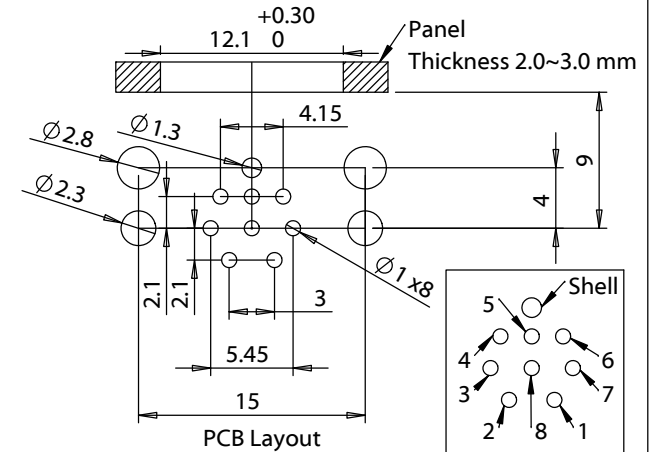
Salt spray test: 35 °C, relative humidity 90-95%, 5% NaCl mist for 48 hrs. Wash parts after test. Maintain mechanical requirements and a contact resistance of less than 10 mΩ.  
Waterproof: IP67 (in mated state). IP67 panel ingress requires sealing cap



Front View  
Not to Scale



SECTION A-A



Revision:	Date:	Description:
A	9/29/2020	Initial release
A1	10/13/2021	Added pin alignment guide

Prepared:

---

Verified:

---

Dimensions are in millimeters.  
Tolerances:  
X: ± 0.5 mm  
X.X: ± 0.3 mm  
X.XX: ± 0.1 mm

Notes:

RoHS compliant

Function test: no open, no short circuit, no intermittent

---

Description:

Connector, 8 pin M12 A-code socket, 12xL23.4mm, gold plated, PCB mount, 90°, PCB, IP67

**TENSILITY**

tel 1.541.323.3228 800 877.670.7118  
fax 1.541.323.4202 web tensility.com

Size:	Part number:
A	54-00248
Scale: 2:1	Sheet 1 of 1