

Ratings

Voltage: 300V
 Temperature
 Static: -40~105 °C
 Dynamic: -20 to 105 °C
 Flammability: VW-1
 Water resistant: 75 °C
 Oil resistant: 60 °C (jacket)
 ≥50% elongation and tensile strength after aging
 UV resistance: jacket, 720 hours xenon or carbon arc exposure
 ≥80% tensile strength and elongation after aging

Conductor

Conductor count: 5
 Gauge: 32 AWG 0.04 mm²
 Material: tinned copper strands
 Strand size: Ø 0.08 mm x 7
 Resistance at 20 °C: 588 Ω /km Max

Insulator

Material: PVC
 Color: red, black, white, yellow, blue
 Diameter: Ø 1.05 ±0.10 mm
 Nominal thickness: 0.38 mm
 Resistance at 20 °C: 10 MΩ /km Min

Wrap

Material: cotton paper

Filler

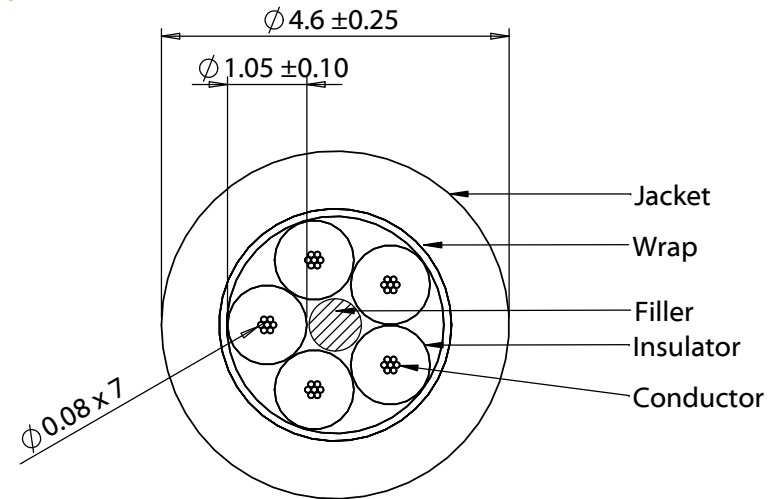
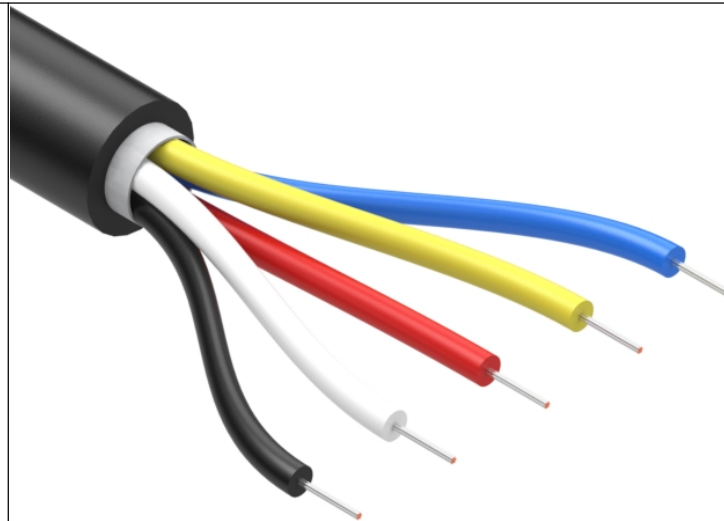
Material: cotton rope

Outer jacket

Material: PVC, 80A
 Color: Black
 Diameter: Ø 4.6 ±0.25 mm
 Nominal thickness: 0.80 mm

Wire marking: E339579 UL AWM STYLE 20387 32 AWG 105°C
 300V VW-1 60°C OIL RESISTANT UV RESISTANT TENSILITY

Use: External wiring



Revision:	Date:	Description:	Prepared:	Notes:	TENSILITY tel 1.541.323.3228 800 877.670.7118 fax 1.541.323.4202 web tensility.com
A	10/04/2020	Initial release	Verified:	RoHS compliant Function test: no open, no short circuit, no intermittent	
			Dimensions are in millimeters. Tolerances: X: ± 0.5 mm X.X: ± 0.3 mm X.XX: ± 0.05 mm	Description:	Size: Part number:
				Wire, 5C TS, 32 AWG, UL20387, 300V, 105C, 60C oil, UV, 4.6 mm, VW-1, PVC, 80A, black	A 30-01671
				Scale: 10:1	Sheet 1 of 1

5

4

3

2

1